

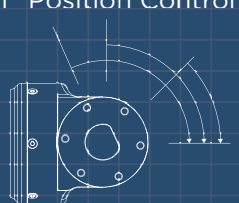
90° ROTATE

RS1-1200

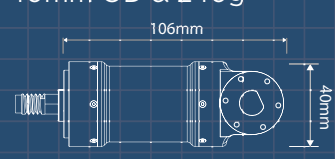
RS1-1200 is a 90 degree rotary actuator. Capable of high torque, it can be used for a variety of tasks including rotating winches, panning cameras and probes, or operating valves.

A cable pass through option allows for powering and controlling a variety of payloads. Compliance can be activated to provide self-protection against accidental impact.

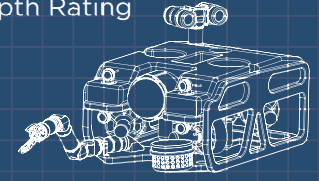
ACCURATE
0.1° Position Control



SMALL & LIGHT
40mm OD & 240g



SUBSEA READY
300m
Depth Rating




Mechanical

Torque	0.6Nm
Rate	60°/s
Travel	360° cont.



Electrical

Voltage	18-30V
Power	6W Max
COMS	RS232/485



Environmental

Depth	300 MSW
Temp	-35 to 35°C
Material	AL 6061

BLUEPRINT LAB

+61 2 8591 4547 | info@blueprintlab.com | www.blueprintlab.com